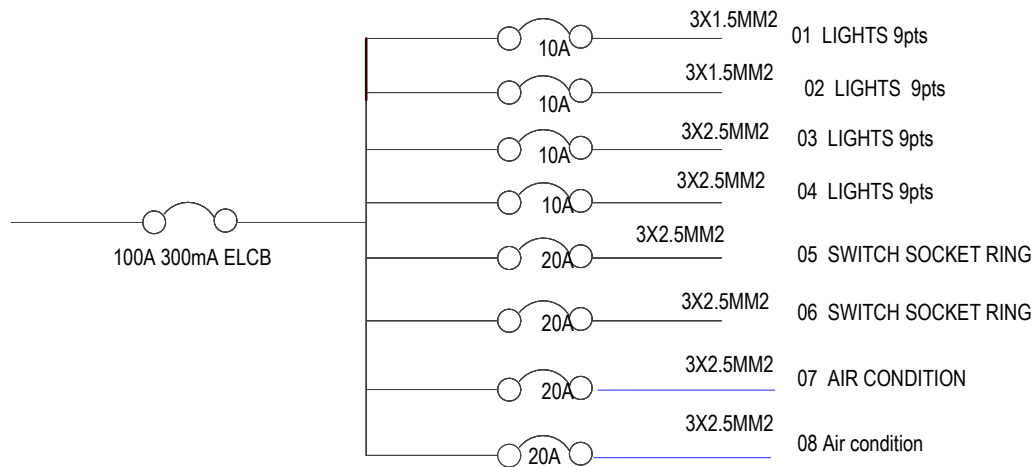


8WAY TPN DISTRIBUTION BOARD RADIOLOGY



Building Section  
 Planning and Policy Department  
 Ministry of Health, Community Development,  
 Gender Elderly and Children.  
 University of Dodoma  
 College of Humanities and Social Science 11th  
 Building, P.O. Box 743,  
 40478 Dodoma

**In Collaboration with** President's Office, Regional Administration  
 and Local Government.  
 Mkapa Building,  
 P.O. Box 1923,  
 41185 Dodoma

**Client**  
 PRESIDENT'S OFFICE, REGIONAL ADMINISTRATION AND  
 LOCAL GOVERNMENT, MKAPA BUILDING,  
 P.O. BOX 1923, 41185 DODOMA

**Project**  
 PROPOSED STANDARD DESIGN FOR COUNCIL LEVEL  
 HOSPITALS IN TANZANIA

<b>Drawing title</b>		<b>RADIOLOGY DEPARTMENT</b> ELECTRICAL PLAN	
Project number	<b>RAD/E101</b>		
Date			<b>May, 2018</b>
Drawn by			<b>EEC</b>
Checked by		<b>EEC</b>	
Scale		1:150	